



**SWEDISH** HYDRONIC SOLUTIONS SINCE 1906 

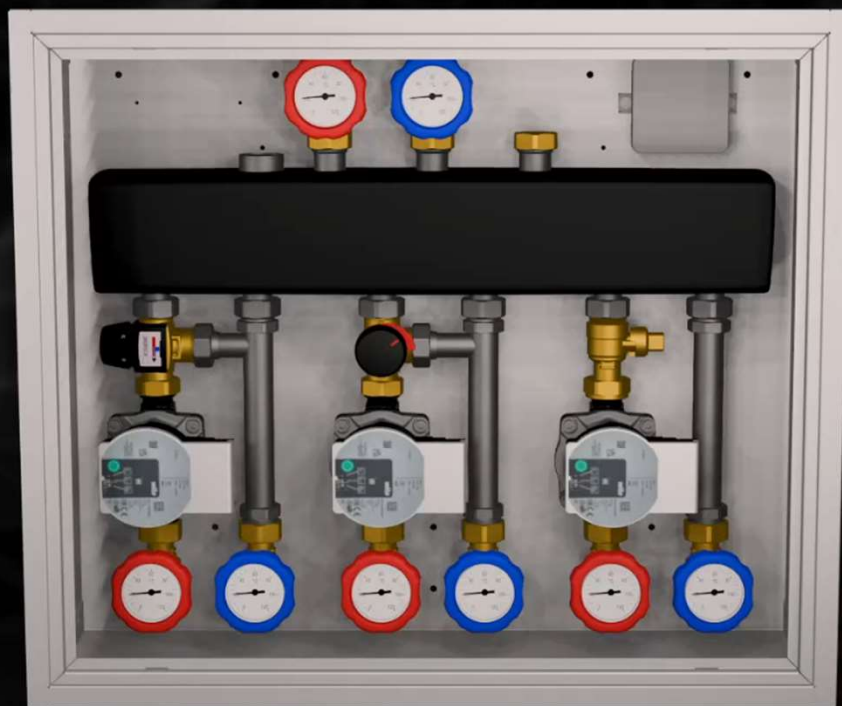
A photograph showing the silhouettes of four people from behind, embracing each other in a warm, golden light. The scene is set against a bright, hazy background, possibly a sunset or sunrise. The people are dressed in casual attire, and their arms are around each other, conveying a sense of unity and support.

## FLEXBOX DN20

---

**SWEDISH** HYDRONIC SOLUTIONS SINCE 1906  **ESBE**<sup>®</sup>

# THE FLEXBOX CONCEPT



## FlexBox – Assortment

Manifold Box, ESBE GMB361

Art. No.

66000700 \_\_\_\_\_ ESBE GMB631

Circulation units (without insulation shell), ESBE GxA394

Art. No.

61005200 \_\_\_\_\_ ESBE GDA394

61045800 \_\_\_\_\_ ESBE GRA394

61025100 \_\_\_\_\_ ESBE GFA394

Shut-off valve with colour coded thermometer

Art. No.

6610xxxx \_\_\_\_\_ ESBE GOP8xx

Cover strip

Art. No.

6610xxxx \_\_\_\_\_ ESBE GOP8xx

ARA/CRx

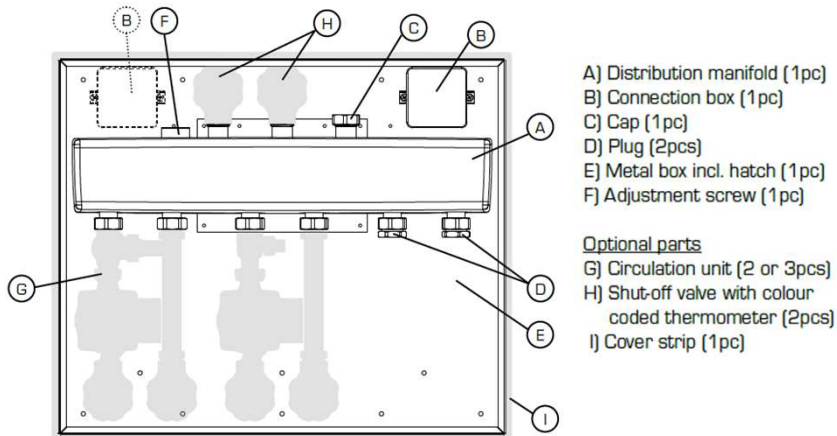
From pricelist



**SWEDISH** HYDRONIC SOLUTIONS SINCE 1906 

## Manifold Box – Product description

### ESBE GMB361



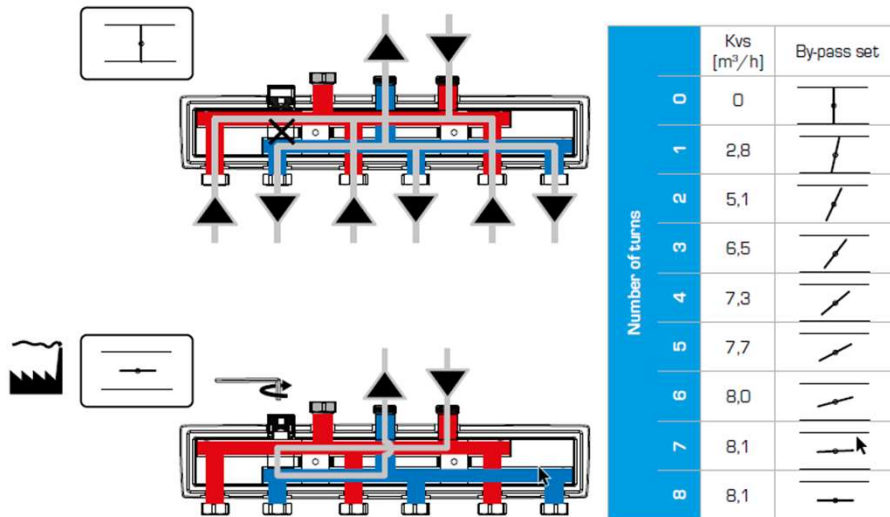
- ✓ Manifold (A) with optional function for hydraulic separation easily set with a screw (F)
- ✓ A Connection box (B) that is included has two possible mounting positions, which are pre-drilled inside the box for easy installation
- ✓ Two incoming ports for supply line to avoid unnecessary piping and speed up the installation. A cap (C) is included to plugged the unused supply line
- ✓ Two plugs (D) are included if only two Circulation Units are intended to be installed and the third circuits need to be plugged



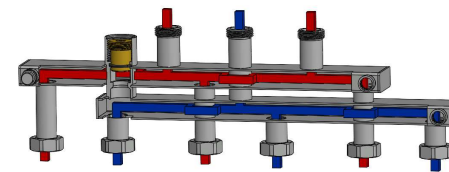
**SWEDISH** HYDRONIC SOLUTIONS SINCE 1906 

# Manifold Box – Product description

## ESBE GMB361



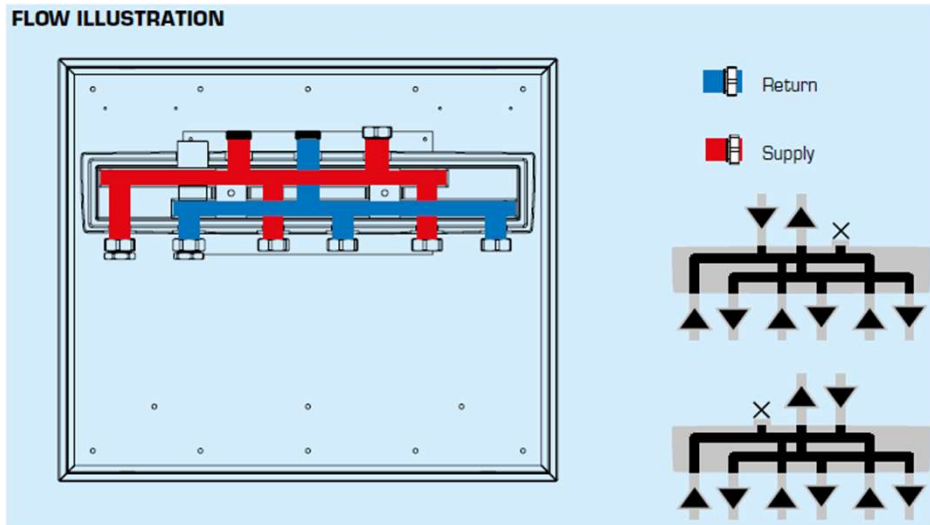
- ✓ Kv values for bypass can be set using separate adjustment screw.
- ✓ Turn the screw clockwise (inwards) to its stop position, then open it a number of turns in order to achieve a specific Kv value



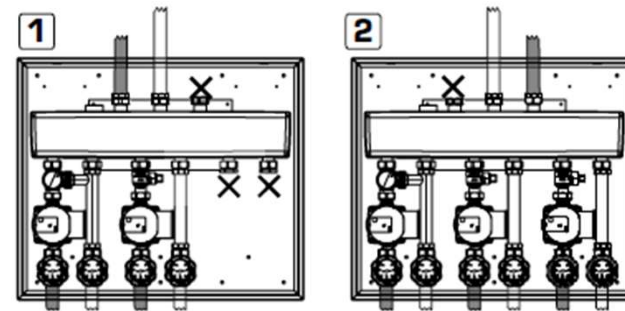
# Manifold Box – Product description

## ESBE GMB361

FLOW ILLUSTRATION

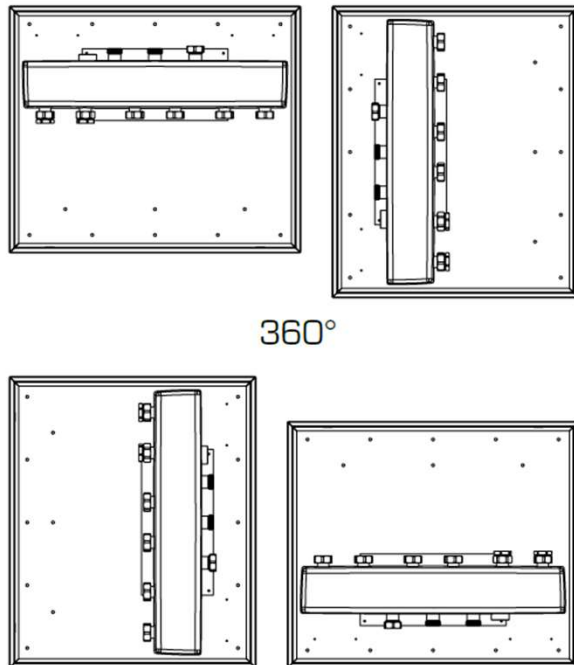


- ✓ Two incoming ports for supply where 1 should be plugged to avoid unnecessary piping

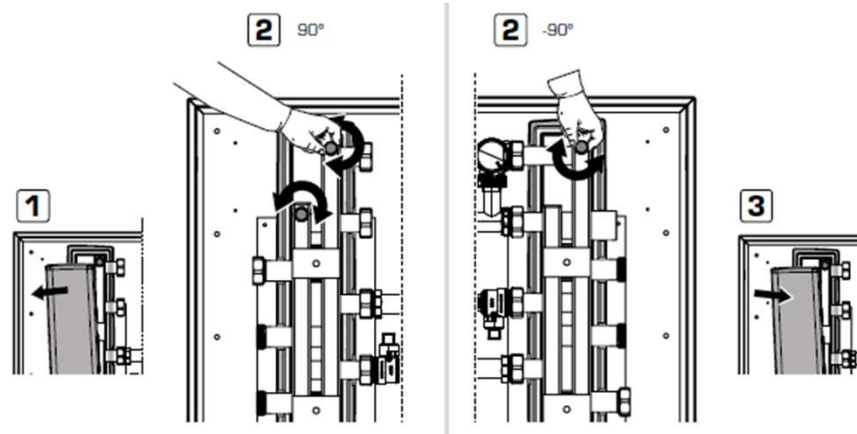


# Manifold Box – Product description

## ESBE GMB361



- ✓ The Manifold Box is equipped with air vent valves which allows 360° mounting

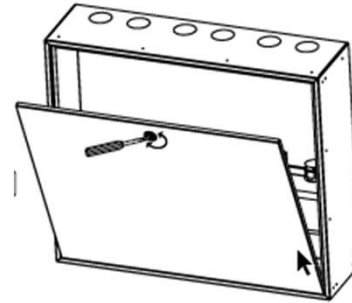
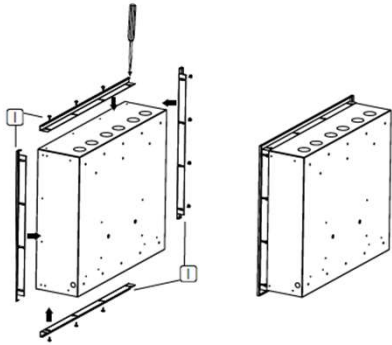
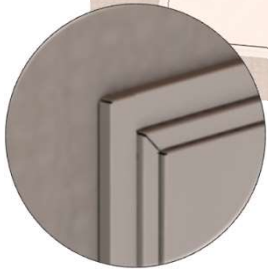
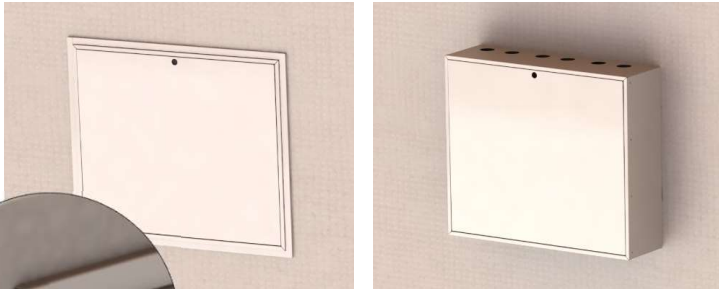


**SWEDISH** HYDRONIC SOLUTIONS SINCE 1906 



## Manifold Box – Product description

### ESBE GMB361



- ✓ The Manifold Box has a separate, easy-to-hand hatch to facilitate assembly
- ✓ The Manifold Box can be mounted on wall or recessed into the wall
- ✓ A Cover strip is available as an option to cover the transition between the box and the wall

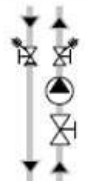
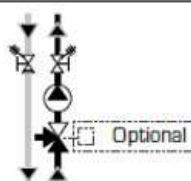



**SWEDISH** HYDRONIC SOLUTIONS SINCE 1906 



# Circulation Units GxA394 – Product description

## ESBE GxA394

SERIES	FUNCTION
ESBE GDA394	
ESBE GRA394	
ESBE GFA394	



### ESBE GDA394 DN20

- ✓ Three shut-off valve, two with colour coded thermometer
- ✓ Check valve on the return line
- ✓ WILO Para 15/6-43/SCU
- ✓ No Insulation shell or Wall bracket

### ESBE GRA394 DN20

- ✓ Two shut-off valve, with colour coded thermometer
- ✓ Check valve on the return line
- ✓ WILO Para 15/6-43/SCU
- ✓ Knob for manually adjustment of the valve
- ✓ ARA and CRX as accessorie
- ✓ No Insulation shell or Wall bracket

### ESBE GFA394 DN20

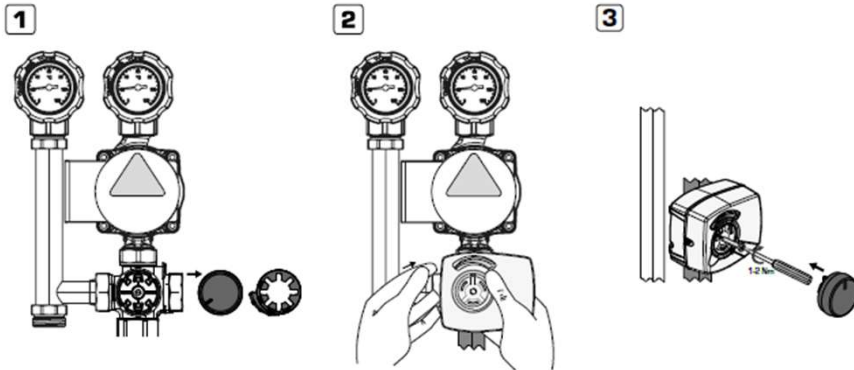
- ✓ Two shut-off valve, with colour coded thermometer
- ✓ Check valve on the return line
- ✓ WILO Para 15/6-43/SCU
- ✓ VTA, 20-55°C
- ✓ No Insulation shell or Wall bracket



**SWEDISH** HYDRONIC SOLUTIONS SINCE 1906 

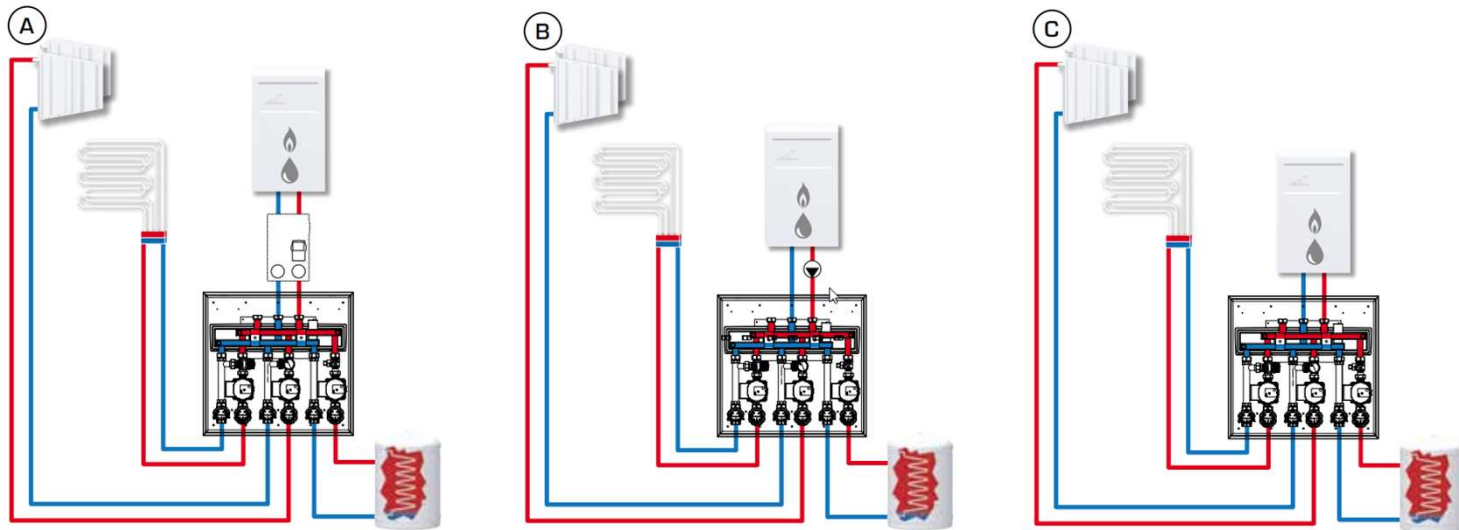
# Circulation Units GxA394 – Product description

**ESBE GxA394** – Optional ARA or CRx



**SWEDISH** HYDRONIC SOLUTIONS SINCE 1906 

## Flexbox – application samples



**SWEDISH** HYDRONIC SOLUTIONS SINCE 1906 



**SWEDISH** HYDRONIC SOLUTIONS SINCE 1906 